

# SPARE PARTS CATALOGUE

## 10 GN ELECTRIC OVEN

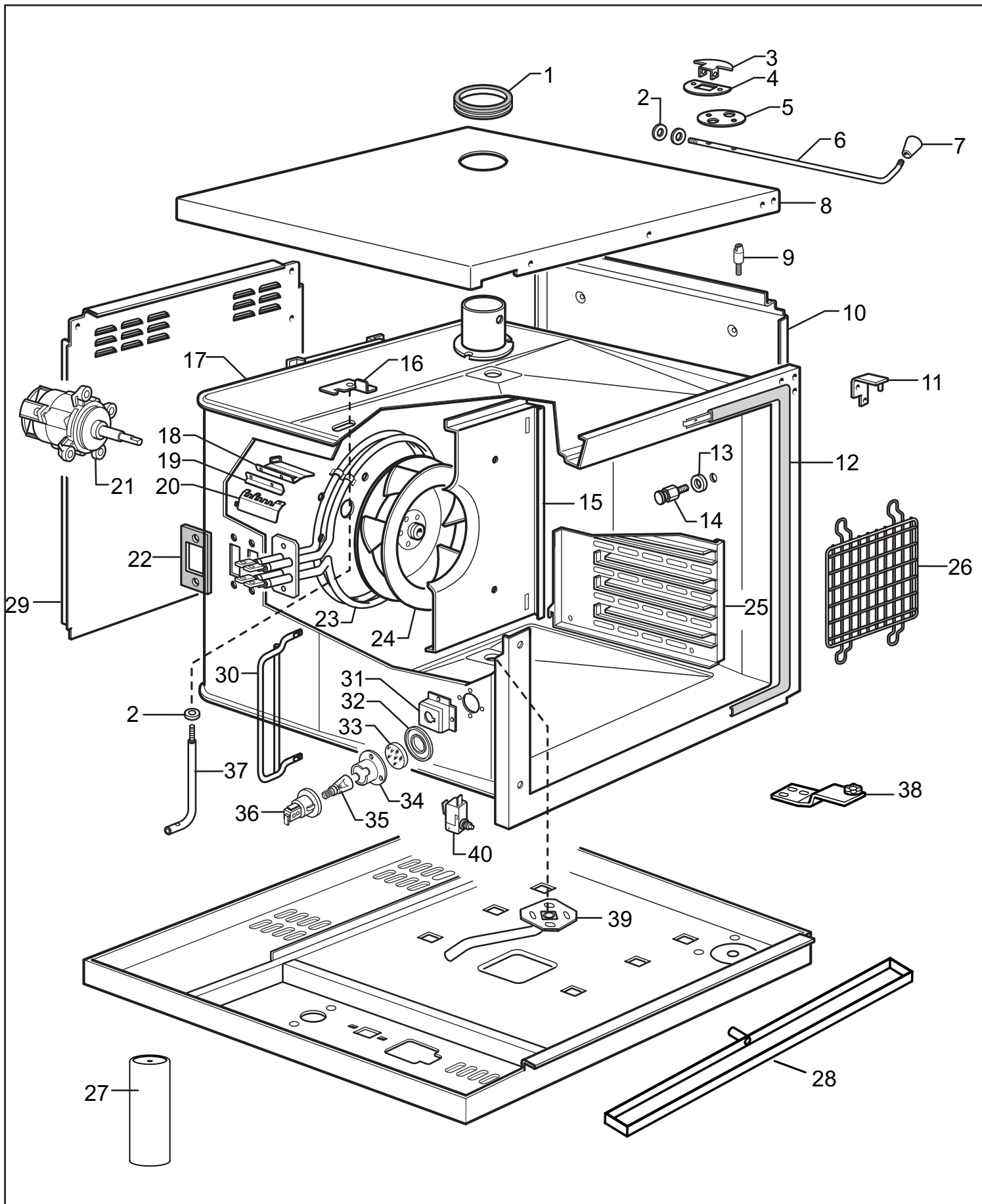
### CONVECTION CROSSWISE OVEN

PNC	MODEL	REF.	PAG.	DESCRIPTION	NOTE/BRAND
240454	ZFCE11CSDS	a	3-9	CONVECTION OVEN 10 GN 1/1 - ELECTRIC	Zanussi
240455	ZFCE11CSCS	b	3-9	CONVECTION OVEN 10 GN 1/1 - ELECTRIC - 230V	Zanussi
240456	ZFCE12CSDS	c	3-9	CONVECTION OVEN 10 GN 2/1 - ELECTRIC	Zanussi
240485	ZFCE11CSES	d	3-9	CONVECTION OVEN 10 GN 1/1 - ELECTRIC - 60HZ	Zanussi
240486	ZFCE12CSES	e	3-9	CONVECTION OVEN 10 GN 2/1 - ELECTRIC - 60HZ	Zanussi
260693	EFCE11CSDS	f	3-9	CONVECTION OVEN 10 GN 1/1 - ELECTRIC	EPR
260695	EFCE11CSCS	g	3-9	CONVECTION OVEN 10 GN 1/1 - ELECTRIC - 230V	EPR
260697	EFCE12CSDS	h	3-9	CONVECTION OVEN 10 GN 2/1 - ELECTRIC	EPR
260865	EFCE11CSES	j	3-9	CONVECTION OVEN 10 GN 1/1 - ELECTRIC - 60HZ	EPR
260866	EFCE12CSES	k	3-9	CONVECTION OVEN 10 GN 2/1 - ELECTRIC - 60HZ	EPR
697009	TFCE11CSDS	m	3-9	CROSSWISE OVEN ELECTRIC 10 GN 1/1	To Brand
697010	TFCE11CSCS	n	3-9	CROSSWISE OVEN ELECTRIC 10 GN 1/1 - 230V	To Brand
697011	TFCE12CSDS	o	3-9	CROSSWISE OVEN ELECTRIC 10 GN 2/1	To Brand
697030	TFCE11CSES	p	3-9	CROSSWISE OVEN ELECTRIC 10 GN 1/1 - 60HZ	To Brand
697031	TFCE12CSES	q	3-9	CROSSWISE OVEN ELECTRIC 10 GN 2/1 - 60HZ	To Brand
<b>697037</b>	<b>DFCE11CSDS</b>	<b>r</b>	<b>3-9</b>	<b>CONVECTION OVEN 10 GN 1/1 - ELECTRIC</b>	<b>Diamond</b>
<b>697039</b>	<b>DFCE12CSDS</b>	<b>s</b>	<b>3-9</b>	<b>CONVECTION OVEN 10 GN 2/1 - ELECTRIC</b>	<b>Diamond</b>

## INDEX - INDICE

## PAG.

OVEN CABINET	3
SPARE PART LISTS - OVEN CABINET	4-5
DOOR	6
SPARE PART LISTS - DOOR	7
ELECTRICAL COMPONENTS	8
SPARE PART LISTS - ELECTRICAL COMPONENTS	9-10



## OVEN CABINET

From Ser. Nr.  
Up to Ser. Nr.

Ed. 01 2023-05  
Ed. 01 2023-12

Page: 3

@

Doc No: 595406M00

POS	FACTORY CODE	S.P. CODE	DESCRIPTION	V	W&T	REF.	NOTES	S/N BREAK (YYYY/WK)
1	0543801400	053829	Gasket, air steam		x			
2	0214530100	057762	Spring washer		x			
3	0506878100	0C1861	Movable vent valve, air steam		x	a;b;d;f;g;j;m;n;p;r	GN 1/1	
4	0506878200	0C1862	Vent valve, air steam		x	a;b;d;f;g;j;m;n;p;r	GN 1/1	
5	0506829202	0C1863	Throttle valve, air steam		x	c;e;h;k;o;q;s	GN 2/1	
6	0516823800	0C4394	Valve lever, air steam		x	a;b;d;f;g;j;m;n;p;r	GN 1/1	
6	0516823600	0C5397	Valve lever, air steam		x	c;e;h;k;o;q;s	GN 2/1	
7	0330281100	029898	Knob, lever		x			
8	0521882105	0C2998	Lid		x	a;b;d;f;g;j;m;n;p;r	GN 1/1	
8	0521881905	0C0065	Lid		x	c;e;h;k;o;q;s	GN 2/1	
9	0214442702	052126	Thread pin		x			
10	0521880303	0C0108	Right side panel		x	a;b;d;f;g;j;m;n;p;r	GN 1/1	
10	0850400G02	0CB752	Left side panel		x	a;b;d;f;g;j;m;n;p;r	GN 1/1	
10	0521880502	0C0066	Right side panel		x	c;e;h;k;o;q;s	GN 2/1	
10	0850400L02		Left side panel		x	c;e;h;k;o;q;s	GN 2/1	
11	0512811204	002651	Upper hinge, door	x				
12	0543825401	005712	Gasket, oven cabinet		x			
13	0516822100	003225	Spacer, support	x		c;e;h;k;o;q;s	GN 2/1	
14	0516809601	004390	Light diffuser support	x				
15	0524819002	0A5396	Suction wall	x		a;b;d;f;g;j;m;n;p;r	GN 1/1	
15	0524818304	003729	Suction wall	x		c;e;h;k;o;q;s	GN 2/1	
16	0525855300		Bracket, thermostat fixing		x			
17	083040RN00		Oven cabinet	x		a;b;d;f;g;j;m;n;p;r	GN 1/1	
17	083040RS00		Oven cabinet	x		c;e;h;k;o;q;s	GN 2/1	
18	0503891801	006256	Support, heating element		x			
19	0503897402	006253	Bracket, heating element		x			
20	0503891701	006255	Support, heating element		x			
21	0611804002	002616	Motor, fan oven	x		a;b;d;f;g;j;m;n;p;r	GN 1/1	
21	0611804200	002739	Motor, fan oven	x		c;e;h;k;o;q;s	GN 2/1	
22	0543816501	002689	Gasket, heating element		x			
23	0617835500	0C5243	Heating element	x		a;b;d;f;g;j;m;n;p;r	GN 1/1	
23	0617835400	0C5242	Heating element	x		c;e;h;k;o;q;s	GN 2/1	
24	0831857502	0C6461	Fan, oven	x		a;b;f;g;m;n;r	GN 1/1 50 Hz	
24	0835400H00	0C8309	Fan, oven	x		d;j;p	GN 1/1 60 Hz	
24	0835400D00	0C8306	Fan, oven	x		c;h;o;s	GN 2/1 50 Hz	
24	0835400J00	0C8310	Fan, oven	x		e;k;q	GN 2/1 60 Hz	
25	0850865701	003707	Right air diffuser		x	a;b;d;f;g;j;m;n;p;r	GN 1/1	
25	0850865801	003708	Left air diffuser		x	a;b;d;f;g;j;m;n;p;r	GN 1/1	
25	0850865302	003717	Right air diffuser		x	c;e;h;k;o;q;s	GN 2/1	
25	0850865402	003718	Left air diffuser		x	c;e;h;k;o;q;s	GN 2/1	
26	0830824304	059620	Protection, fan		x			
27	0516811700	006699	Foot		x			
28	0830400X00	0C9815	Oven cabinet tray		x			
29	0521881103	0C3113	Back panel		x			
30	0830813800	0C8427	Protection, fan side		x			

## SPARE PARTS CODE - OVEN CABINET

\* On demand

**Bold=last change**

From Ser. Nr. Up to Ser. Nr.	Ed. 01 2023-05 Ed. 01 2023-12	Page: 4	<b>Doc No: 595406M00</b>
---------------------------------	----------------------------------	---------	--------------------------

POS	FACTORY CODE	S.P. CODE	DESCRIPTION	V	W&T	REF.	NOTES	S/N BREAK (YYYY/WK)
31	0508840702	0C4062	Support, lamp holder		x			
32	0508840801	002628	Flange, gasket lamp		x			
33	0574804900	002627	Glass, lamp		x			
34	0543817202	002626	Gasket, lamp		x			
35	0660802502	054840	Lamp		x			
36	0660807200	0C5508	Lamp holder		x			
37	0516823000	0C1260	Protection, thermostat		x			
38	0805400R00	0C6516	Lower hinge door	x				
39	0805400K02	0C9814	Drain pipe, condensation		x			
40	0640602014	046063	Microswitch	x				

## SPARE PARTS CODE - OVEN CABINET

\* On demand

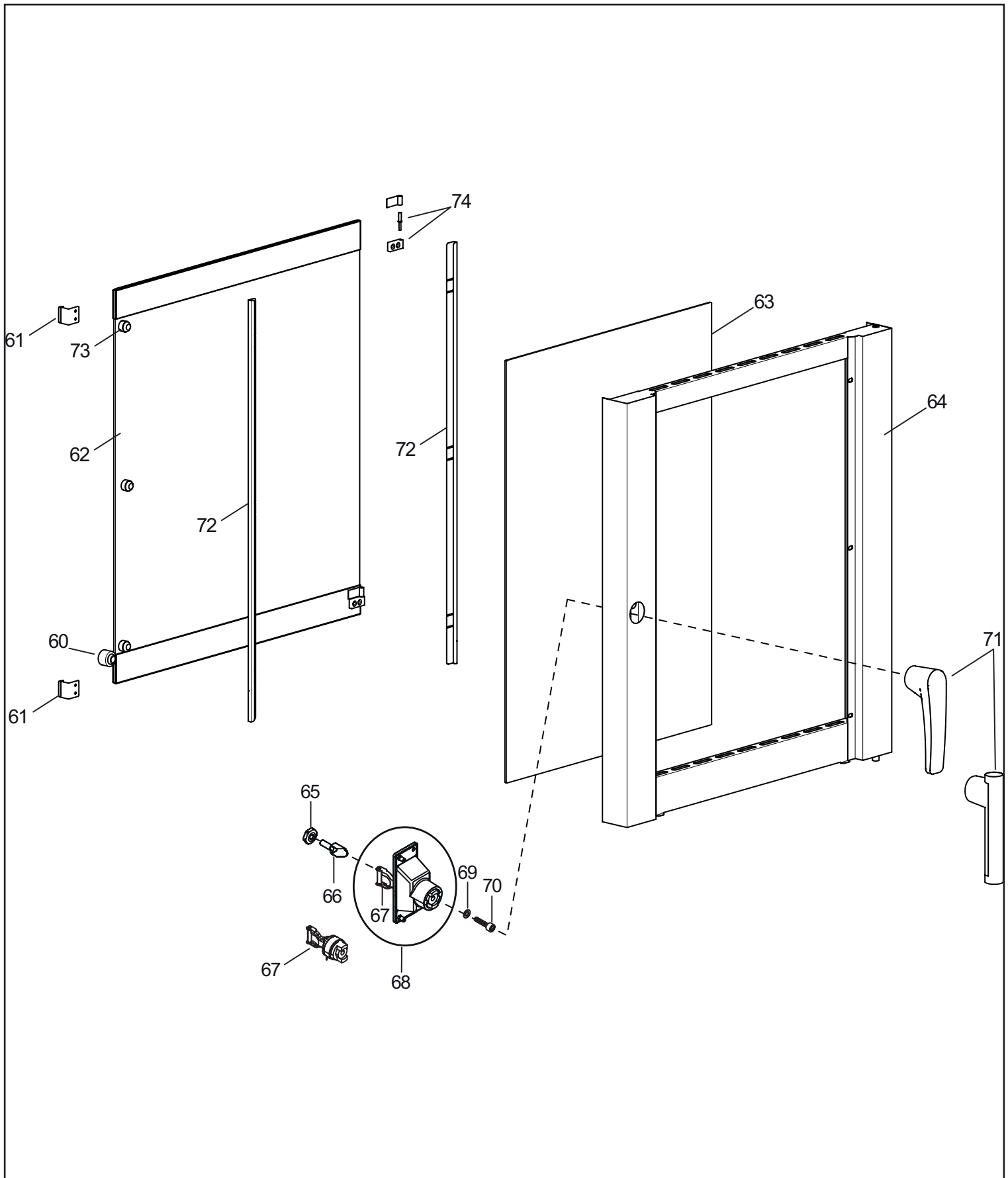
**Bold=last change**

From Ser. Nr.  
Up to Ser. Nr.

Ed. 01 2023-05  
Ed. 01 2023-12

Page: 5

**Doc No: 595406M00**



## DOOR

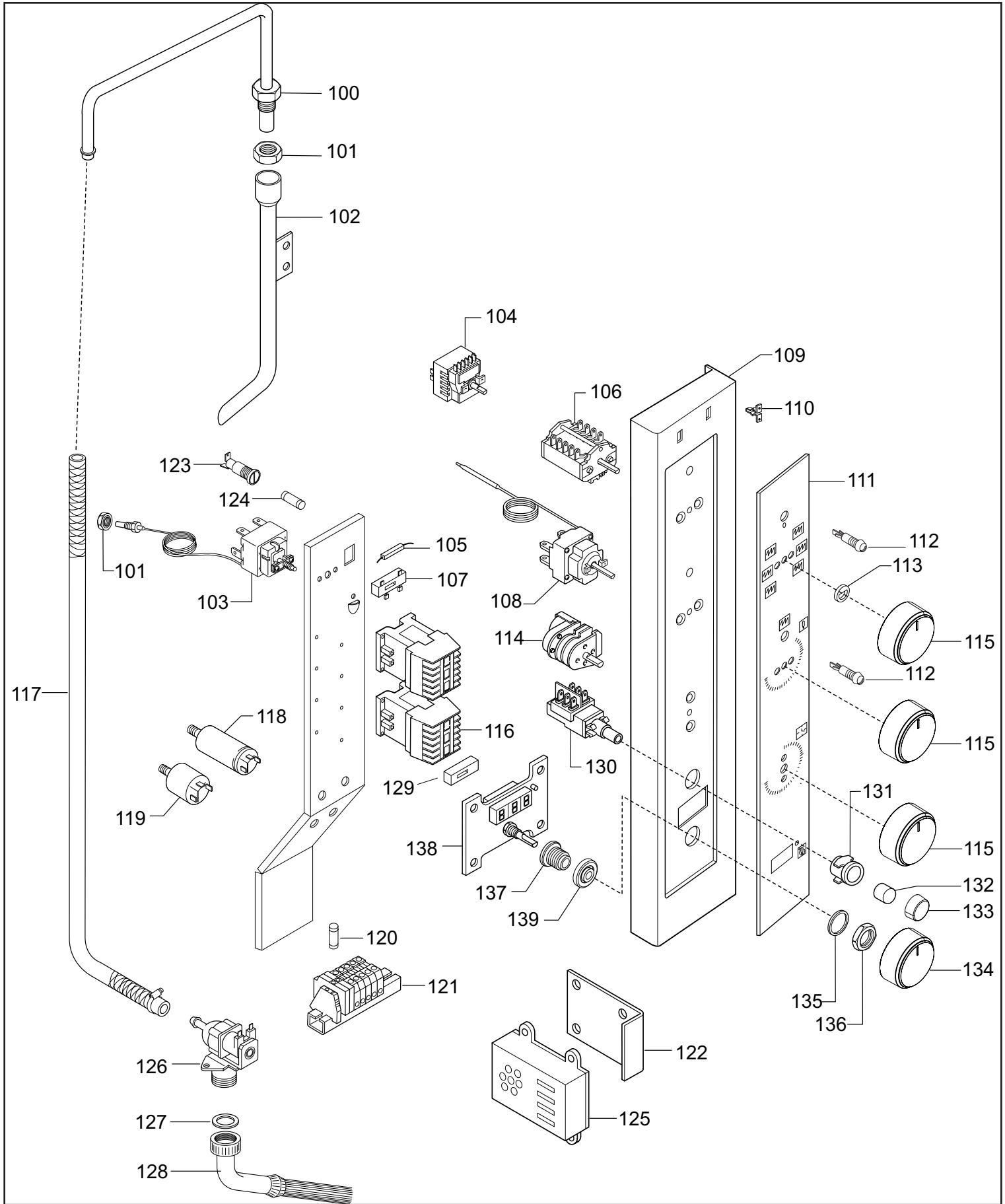
From Ser. Nr.  
Up to Ser. Nr.

Ed. 01 2023-05  
Ed. 01 2023-12

Page: 6 @

Doc No: 595406M00





## ELECTRICAL COMPONENTS

POS	FACTORY CODE	S.P. CODE	DESCRIPTION	V	W&T	REF.	NOTES	S/N BREAK (YYYY/WK)
100	0806869300	0C5543	Pipe, humidifier		x			
101	0514875601	006245	Nut		x			
102	0805899501	003750	Pipe, humidifier		x	a;b;d;f;g;j;m;n;p;r	GN 1/1	
102	0805897903	003751	Pipe, humidifier		x	c;e;h;k;o;q;s	GN 2/1	
103	0646807101	002730	Safety thermostat	x				
104	0699802200	0C1605	Energy regulator	x				
105	0617813201	058872	Resistor	x				
106	0641400000	0C6245	Change-over switch	x				
107	0639400700	0C9000	Terminal board, resistor	x				
108	0646804001	056384	Thermostat	x				
109	0850401203	0C6517	Control panel		x			
110	0518801801	053342	Spring, brand		x			
111	0548402J00	0CBCAN	Membrane, control panel		x	f;g;h;j;k	EPR	
111	0548402G00	0CBCAL	Membrane, control panel		x	a;b;c;d;e	Zanussi	
111	0548402L00	0CBCAP	Membrane, control panel		x	m;n;o;p;q	To brand	
<b>111</b>	<b>0548402X00</b>	<b>0CBCJ4</b>	<b>Membrane, control panel</b>		<b>x</b>	<b>r;s</b>	<b>Diamond</b>	
112	0661400000	0C6080	Indicator lamp		x			
113	0543801701	0C3796	Gasket, knob		x			
114	*	0C8755	Timer		x			
115	0548402C00	0CBCAI	Knob, with indicator	x		f;g;h;j;k	EPR	
115	0548402M00	0CBCAQ	Knob, with indicator	x		a;b;c;d;e	Zanussi	
115	0548402M00	0CBCAQ	Knob, with indicator	x		m;n;o;p;q;r;s	To brand	
116	0648807400	006879	Contacto K3 18A 230V	x		a;b;d;f;g;j;m;n;p;r	GN 1/1	
116	0648613200	0L0355	Contacto K3 24 A00 230V	x		c;e;h;k;o;q;s	GN 2/1	
116	0648807700	007080	Contacto K3 32 A00 230V	x		b;g;n	GN 1/1 230V	
116	0648807300	088477	Contacto K3-10N 230V 50/60HZ	x		c;e;h;k;o;q;s	GN 2/1	
117	0544819400	0C5829	Rubber pipe	x				
118	0694800300	056148	Condenser 10 µF	x		a;b;d;f;g;j;m;n;p;r	GN 1/1	
118	0694800600	047744	Condenser 20 µF	x		c;e;h;k;o;q;s	GN 2/1	
119	0694605400	049303	RFI Filter		x			
120	0652800901	058871	Fuse 6,3 A	x				
121	0639805900	059794	Terminal board	x		a;b;d;f;g;j;m;n;p;r	GN 1/1	
121	0639811900	0C4759	Terminal board	x		c;e;h;k;o;q;s	GN 2/1	
121	0639811700	0C7982	Terminal board	x		b;g;n	GN 1/1 230V	
122	0505404M01	0CA260	Bracket support, buzzer		x			
123	0805408R00	0CB130	Fuse holder	x				
124	0652801800	002820	Fuse 160 mA	x				
125	675401000	0CA485	Buzzer		x			
126	0696400000	0C6081	Solenoid valve, humidifier		x			
127	0246001622	061488	Gasket		x			
128	0830401G00	0C8316	Inlet pipe, water		x			
129	0H58194500	0C4704	Auxiliary contact	x		b;g;n	GN 1/1 230V	
129	0H58194500	0C4704	Auxiliary contact	x		c;e;h;k;o;q;s	GN 2/1	
<b>130</b>	<b>0641803100</b>	<b>003766</b>	<b>Switch, meat probe</b>	<b>x</b>				

## SPARE PARTS CODE - ELECTRICAL COMPONENTS

\* On demand

**Bold=last change**

From Ser. Nr. Up to Ser. Nr.	Ed. 01 2023-05 Ed. 01 2023-12	Page: 9	<b>Doc No: 595406M00</b>
---------------------------------	----------------------------------	---------	--------------------------

POS	FACTORY CODE	S.P. CODE	DESCRIPTION	V	W&T	REF.	NOTES	S/N BREAK (YYYY/WK)
131	0548845000	003767	Support, switch	x				
132	0548844900	003768	Push button, switch	x				
133	0548801500	053979	Protection, push button	x				
134	0548402N00	0CBCAR	Knob, without indicator	x				
135	0508836400	002727	Washer	x				
136	0214114900	051263	Lock nut	x				
137	0516807301	002662	Bushing, knob	x				
138	0675401D01	0CB045	Board, meat probe	x				
139	0543816100	002663	Gasket, bushing	x				

\* On demand

**Bold=last change**

From Ser. Nr.  
Up to Ser. Nr.

Ed. 01 2023-05  
Ed. 01 2023-12

Page: 10

**Doc No: 595406M00**

Electrolux Professional SpA  
Viale Treviso, 15  
33170 Pordenone, ITALY  
Fax (+39) 0434 380 201  
<https://www.electroluxprofessional.com>  
<https://webgate.electroluxprofessional.com>